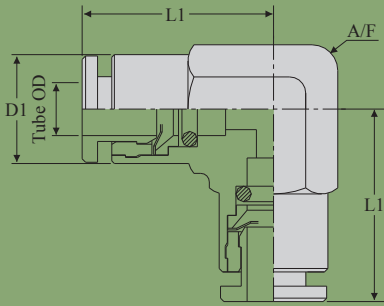
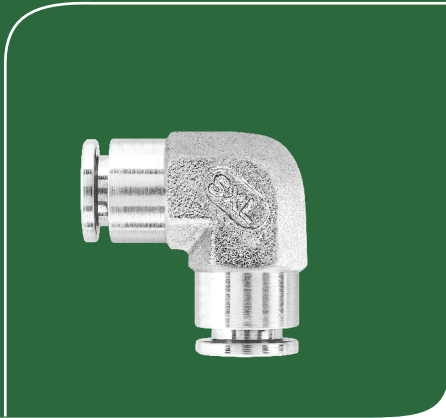




PIF - Union elbow (PIFUE)



Technical Specification

- Pressure Range: up to 290 PSI (20 bar)
- Temp Range : up to 150°C
- Tube Diameter :- Ø 4 - 16mm, 3/16" - 5/8"
- Thread Sizes :- NPT - 1/8 - 1/2
BSP - 1/8 - 1/2
BSPT - M5- 1/2

Material

- Body : SS316
- Collet : SS303
- O Ring : Viton (EPDM on Request)

Applications

Chemical, Food, Printing, Packaging, Marine, Pharmaceutical
(Fittings are resistant to aggressive environments and corrosive fluids etc.)

METRIC Tube to Tube

TUBE OD	DIMENSIONS IN MILLIMETER			TCC PART NO.
	D1	L1	A/F	
4 mm	9.8	16.4	11.1	PIFUE-4
6 mm	12.5	20.6	12.7	PIFUE-6
8 mm	14.2	21.4	14.2	PIFUE-8
10 mm	16.4	24.6	17.4	PIFUE-10
12 mm	19.0	25.6	20.6	PIFUE-12
14 mm	21.8	27.5	22.2	PIFUE-14
16 mm	23.7	29.0	24.0	PIFUE-16

FRACTIONAL Tube to Tube

TUBE OD	DIMENSIONS IN INCHES			TCC PART NO.
	D1	L1	A/F	
3/16	0.415	0.645	7/16	PIFUE-187
1/4	0.495	0.810	1/2	PIFUE-250
5/16	0.560	0.840	9/16	PIFUE-312
3/8	0.635	0.970	11/16	PIFUE-375
1/2	0.780	1.005	13/16	PIFUE-500
5/8	0.935	1.140	15/16	PIFUE-625

Dimensions are for reference only, subject to change without notice